



QUALITY MOUNTING SOLUTIONS

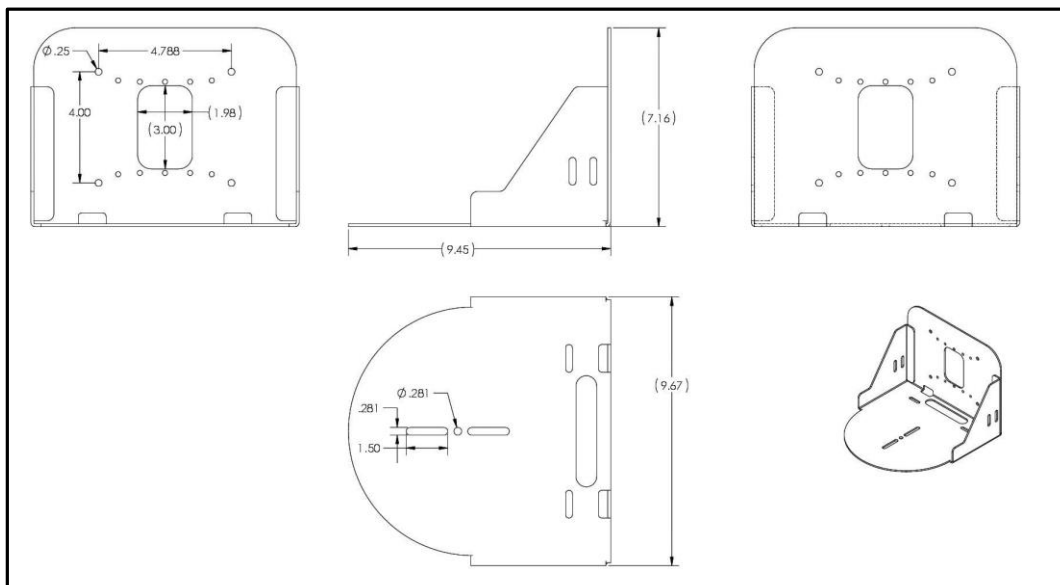
FEC MODEL WM-ROSSPCAM20 CUSTOM WALL MOUNT FOR ROSS PIVOTCam



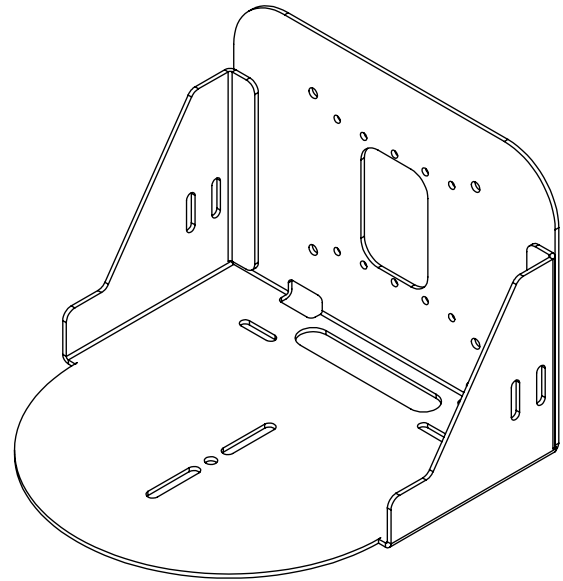
FEATURES

- RUGGED STEEL CONSTRUCTION
- MOUNTS TO WALL, ELECTRIC GANG BOX or EO BOX
- ROSS POWER SUPPLY SEATS/AFFIXES TO MOUNT
- COSMETICALLY COORDINATED TO ENHANCE PIVOTCam DESIGN
- HARDWARE FOR MOUNTING TO STRUCTURAL WALL INCLUDED

FOR ADDITIONAL INFORMATION, OR TO PURCHASE
THE WM-ROSSPCAM20, CONTACT **FEC**



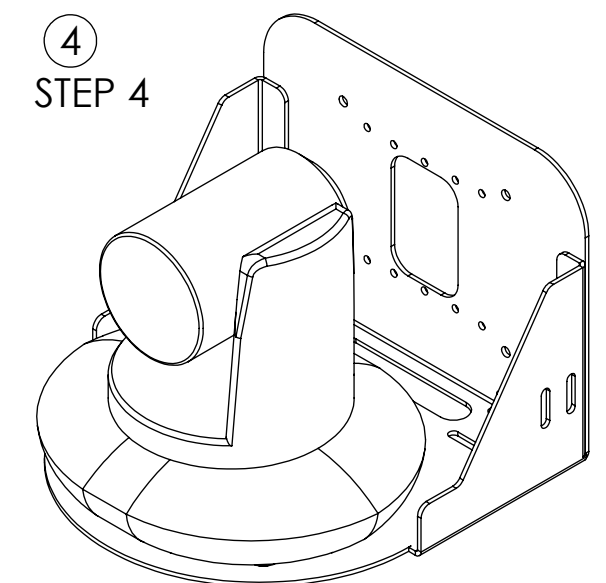
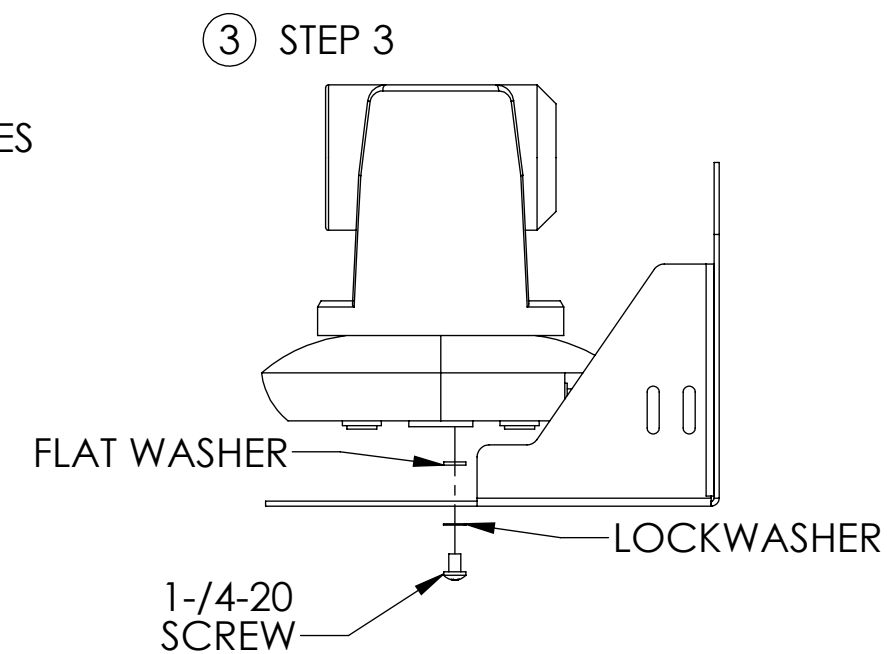
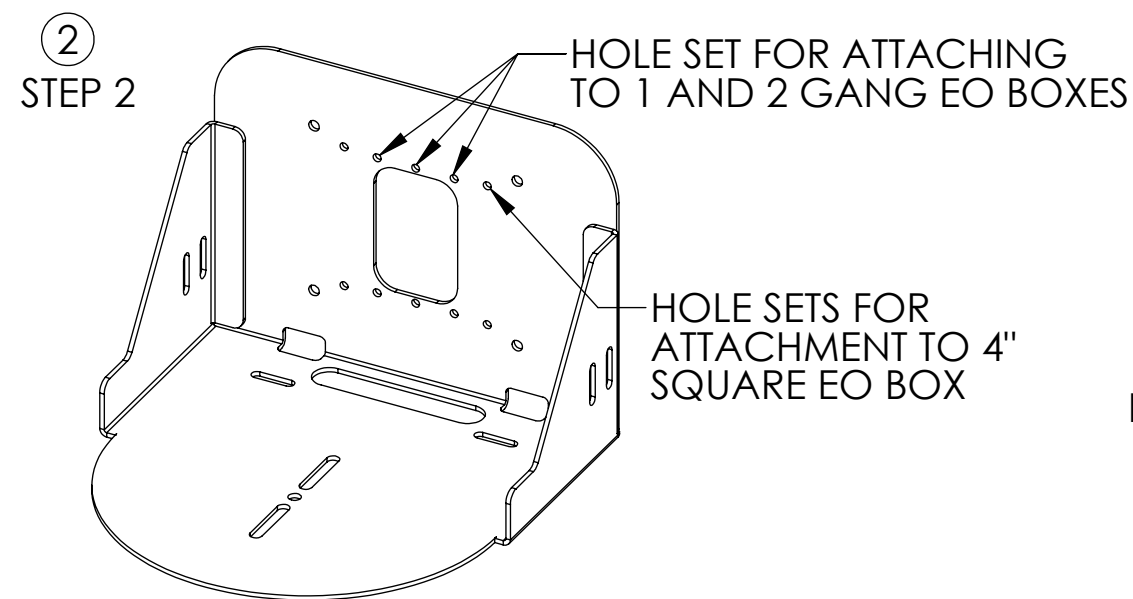
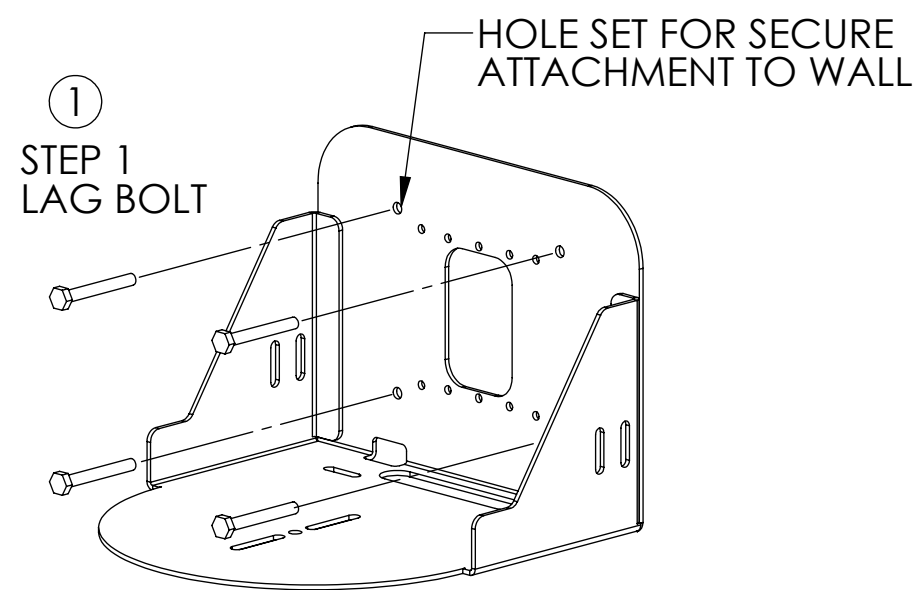
FEC MODEL WM-ROSSPCAM20 WALL MOUNT BRACKET KIT FOR ROSS PIVOT CAMERA



WALL MOUNT BRACKET
HEIGHT 7.16" WIDTH 9.67"
DEPTH 9.45"

MODEL INSTRUCTIONS:

- ① MOUNT BRACKET TO WALL USING APPROPRIATE HARDWARE THROUGH THE .25" MOUNTING HOLES.
USE 1/4 x 2" LAG BOLTS FOR WOOD STUDS ONLY.
TOGGLE BOLTS MAY BE USED ON DRYWALL PLASTER AND HOLLOW CORE CONCRETE.
ROUTE CABLES THROUGH WIRE MANAGEMENT PORTS.
(MAKE CERTAIN THAT MOUNTING METHOD IS SECURE AND FOLLOWS ACCEPTED NORMS FOR THIS APPLICATION)
UPSIDE DOWN MOUNTING OF THE CAMERA IS NOT RECOMMENDED.
- ② AS AN OPTION, THE WALL BRACKET MAY ALSO BE ATTACHED TO A 1 GANG, 2 GANG OR 4" SQUARE EO BOX.
(DO NOT USE EO BOX AS SOLE SUPPORT. WALL MOUNT BRACKET MUST BE SECURED WITH SUFFICIENT SIZE SCREWS THROUGH THE .25" DIAMETER. MOUNTING HOLES.)
- ③ ATTACH CAMERA TO WALL BRACKET WITH (1) 1/4-20 SCREW AND LOCK WASHER. NOTE A WASHER IS USED BETWEEN THE CAMERA AND MOUNT FOR SUPPORT PURPOSES.
- ④ FINISH SECURING CAMERA ACCESSORIES SUCH AS CABLES AND POWER SUPPLY AS NECESSARY



SAFETY NOTE:

- Before beginning the installation, it is very important to examine the unit for damage, defects and correct hardware.
- The Installation instructions must be read and entirely understood prior to install.
- It must be determined that the mounting surface is capable of supporting the mount and equipment.
- The Professional Installer must determine the proper way to attach the WALL BRACKET
- The installation of the mount and equipment is dependent on proper/secure attachment and is the responsibility of the installer.
- Make sure wall will support 4 times the combined weight of Equipment and Wall Mount.-
- This mount should be attached to wood studs only. Under no circumstances should this product be mounted to metal studs, unless an installation professional deems they have been adequately reinforced and will support 4 times the combined weight of Equipment and the Wall Mount.
- Please use only the bolts supplied with the unit or bolts of the correct size, making sure the hardware used is tightened properly for a secure installation..
- The WALL BRACKET MODEL is only intended to be used with the equipment listed on the install sheet. It is not meant to be used with any other equipment.
- If at anytime, a question arises regarding this installation (or regarding the safety or integrity of the projected use) cease the installation and either obtain the advice of another qualified installer or contact FEC.

HARDWARE:

- (1) 1/4-20 X 1/2" LONG SCREW PH TRUSS HD ZINC
- (1) 1/4" LOCKWASHER
- (1) 1/4" FLAT WASHER ZINC
- (4) 1/4 X 2" HEX HEAD LAG BOLT
- (4) 1/4" X 3" TOGGLE BOLT

FEC 5 BREWSTER ST.
GLEN COVE, NY 11542

PHONE: (516) 967-9565
fecrack@ix.netcom.com

P/N 22358

12-11-17